

Features

The TF mounting is installed in minutes by following the instructions provided. There is no need to fix the machines to the floor since the rubber base of the mounting keeps the machine in place. Whenever necessary, the machine can easily be re-positioned. The level is adjusted with load applied.

The rubber element of the TF mounting is oil and chemical resistant. All metal parts are zinc plated and chromated for protection against corrosion.

Models TF 250, TF 600 and TF 1200, also available in stainless steel.

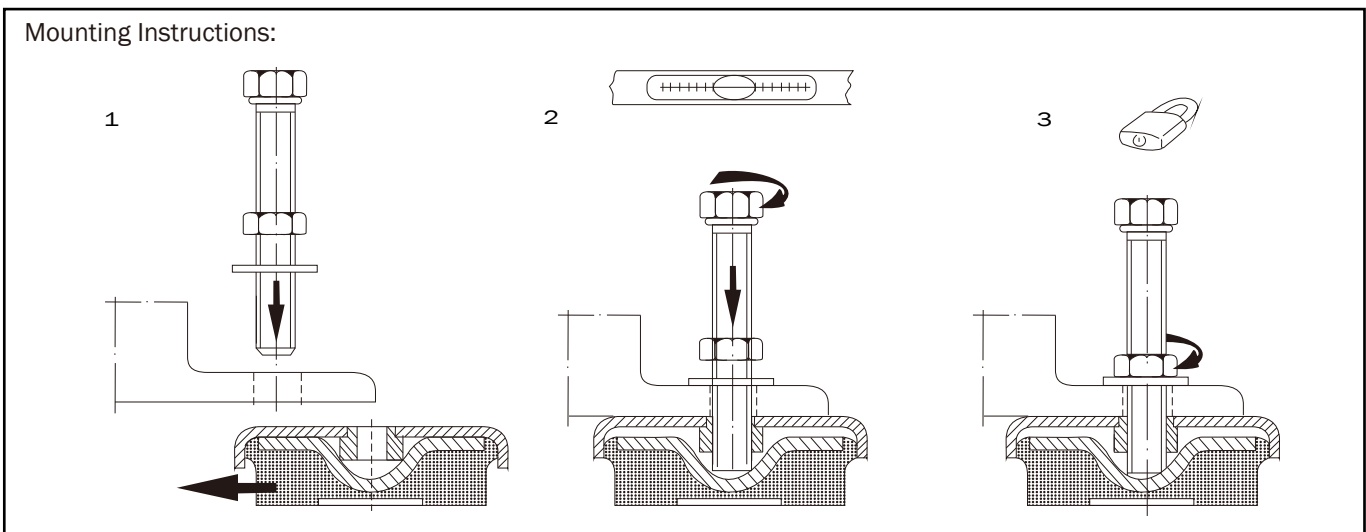
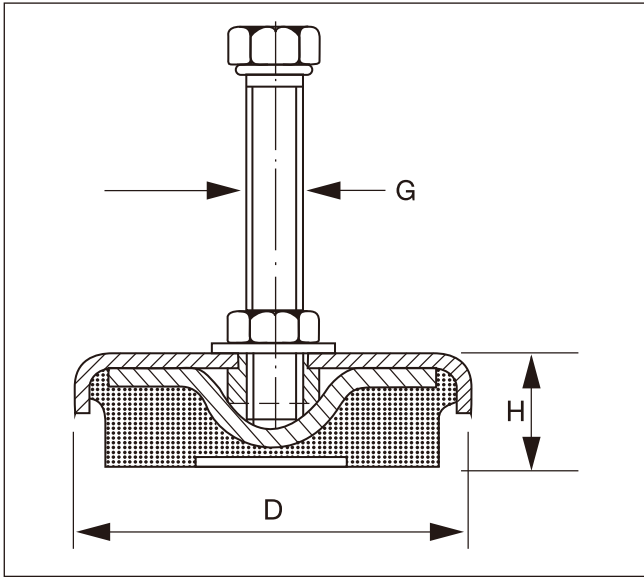


Novibra® type TF™

Novibra® type TF™ with level adjuster is suitable for a wide range of free standing workshop machines, e.g.

- ▼ Lathes
- ▼ Presses
- ▼ Plate shears
- ▼ Milling machines
- ▼ Nibbling machines
- ▼ Grinding machines
- ▼ Punches and cutters
- ▼ Woodworking machines
- ▼ Multiple operation machinery
- ▼ Plastic moulding machinery

Type	Drawing no.	Part no.	Dimensions in mm			Overall Bolt Length	Thread G	Max Load (Kg)	Weight (Kg)
			D	Hmin	Hmax				
TF 250	19-0588	20-00623	69	23	-	100	M12	250	0,40
TF 250 ^S / _S	19-0589	20-00678	69	23	-	100	M12	250	0,40
TF 600	19-0583	20-00624	81	25	-	100	M12	600	0,49
TF 600 ^S / _S	19-0585	20-00679	81	25	-	100	M12	600	0,49
TF 1200	19-0577	20-00625	108	29	-	100	M16	1200	1,00
TF 1200 ^S / _S	19-0578	20-00680	108	29	-	100	M16	1200	1,00
TF 3000	19-0591	20-00626	151	35	-	120	M20	3000	2,20
TF 4000	19-0596	20-00627	170	39	-	120	M20	4000	2,90
TF 6000	19-0598	20-00628	205	44	-	150	M24	6000	4,80



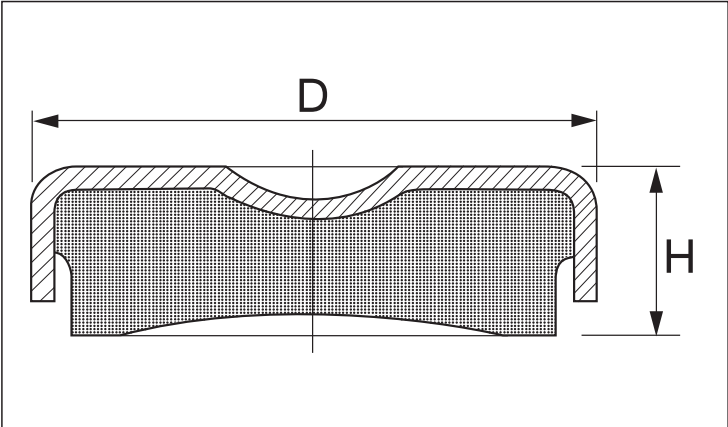
Loading range per mounting (kg)

Mounting	Type of Machine	General Workshop Machines	Presses And Punches							
			Numbers of Strokes Per Minute							
			1-	125	126-	175	176-	225	226-	275
TF 250		250	25-	125	20-	100	15-	85	10-	60
TF 600		251- 600	126-	300	101-	240	86-	200	61-	150
TF 1200		601- 1200	301-	600	241-	480	201-	400	151-	300
TF 3000		1201- 3000	601-	2400	481-	1600	401-	1000	301-	750
TF 4000		3001- 4000	2401-	3200	1601-	2100	1001-	1300	751-	1000
TF 6000		4001- 6000	3201-	4800	2101-	3200	1301-	2000	1001-	1500

Mounting TFE™ is a simpler version of type TF™ without level adjuster. It is used for machines which do not require height adjustment or where such a feature is already provided, e.g. by an adjusting screw in the machine.



Both models also available in stainless steel.



Type	Drawing no.	Part no.	Dimensions in mm		Max Load (Kg)	Weight (Kg)
			D	H		
TFE 601	19-0571	20-00629	80	25	800	0,375
TFE 1201	19-0574	20-00630	109	29	160	0,925